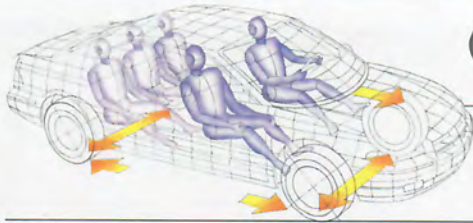




THE NEW DODGE

1 9 9 5

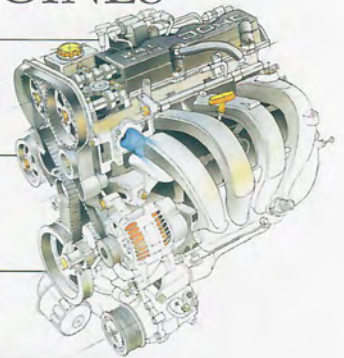
STRATUS



CAB-FORWARD DESIGN

MULTIVALVE ENGINES

DOUBLE-WISHBONE SUSPENSION



SPACIOUS INTERIOR

AGILE ROAD HANDLING

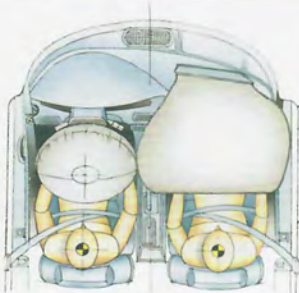
SCULPTED, AERODYNAMIC



STRONG,



SAFE, SECURE



Is it possible to create a sedan with the soul of a sport coupe? With the interior space of a larger car? With the deft handling and solid feel of a driver's car? With the standard features of a more expensive car? Dodge designers and engineers examined thousands of questions like these.

We studied the unmet needs of car owners and how they interact with their automobiles. We spent countless hours asking consumers' opinions and observing folks park, load and unload their cars in busy parking lots. We tore apart our competitors' vehicles and studied every bolt, switch and fastener. The final result is the new Dodge Stratus. It's full of answers.

Stratus' long list of standard conveniences includes air conditioning, electronic speed control, tilt steering column, AM/FM stereo cassette, driver and front passenger air bags,* dynamic side-impact protection, and much more.



Stratus offers three different highly advanced multivalve engines and either a smooth-shifting electronically controlled four-speed overdrive automatic transaxle or a five-speed manual. Its structural rigidity, wheels-to-the-corners stability, and an advanced new modified



double-wishbone suspension provide the right balance of comfort and control. So go ahead, try one on. Dodge Stratus was created to answer the previously unmet needs of today's most skeptical, discriminating, value-driven car buyer ... you.

How far can you push a car before it breaks? Every facet of Stratus' design has been tested and optimized to higher levels than ever before. Wind tunnel testing refined Stratus' profile and lessened wind noise. There were head-on and side-impact collision tests; corrosion tests; suspension tests on rigorous roads; punishment in searing desert heat and arctic cold. We even submitted Stratus to a raging storm of invisible radio frequency energy to test its electronics for electromagnetic interference from nearby lightning and radio transmitters.



The Stratus "body-in-white" acted as a gauge and helped minimize variations in parts fit as well as noise, vibration and harshness, and buzz, squeak and rattle levels.

Throughout its development, Stratus grew tighter, quieter, stronger, more responsive, and more refined. Because we understand that the ultimate test of every Stratus will be your years of ownership.

*Always wear your seat belts.



Stratus ES, shown in Light Silver Fern, with standard fog lights and 15-inch Extensor cast aluminum wheels.

Can A Compact Sedan Hold Five Adults Without Cramping Their Style?

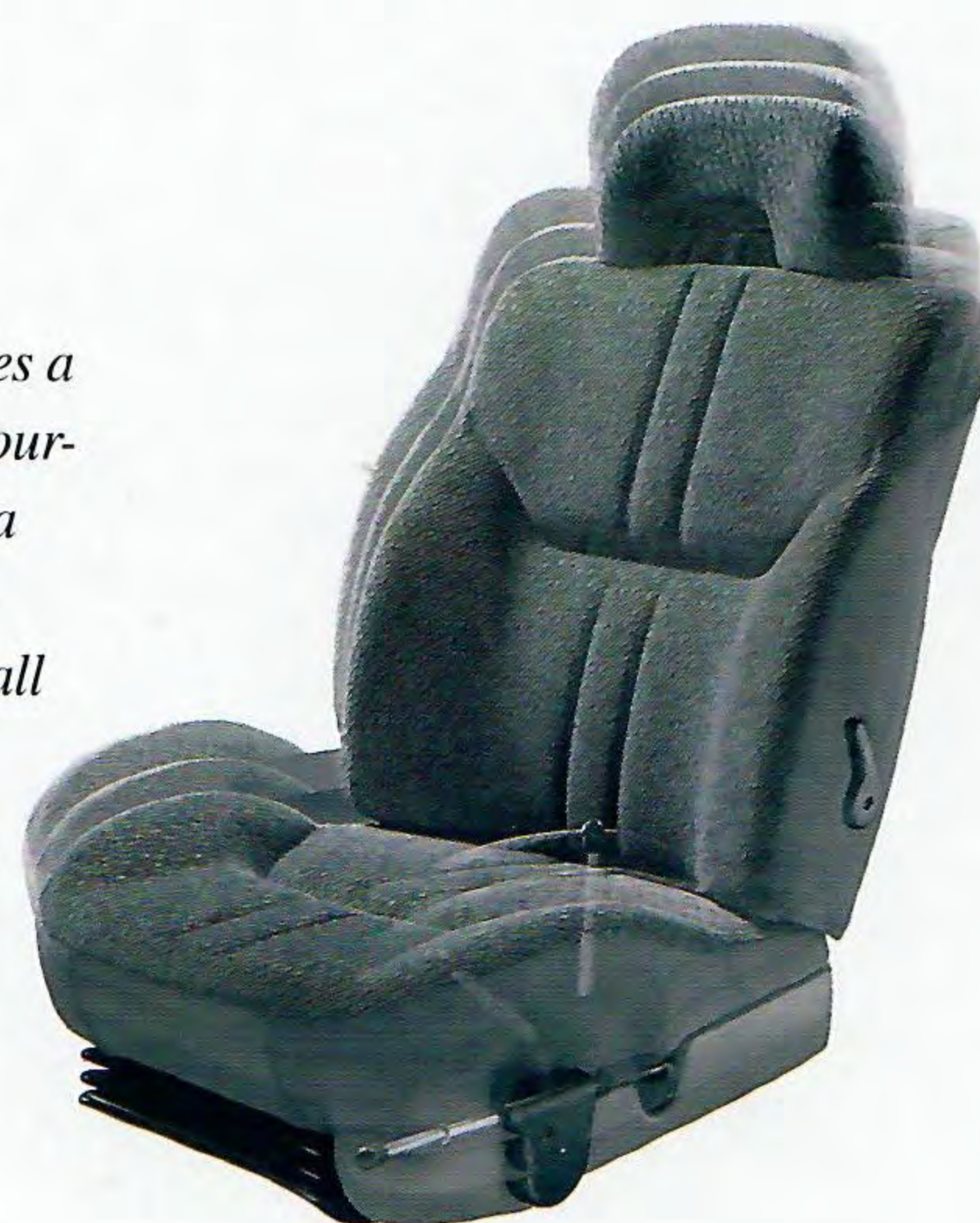


Dodge Stratus is our purest expression of the cab-forward design concept: more space for humans, less for machinery. The roomy five-passenger interior measures 95.9 cubic feet of volume, the largest in its class.

Stratus' firm, supportive seats were computer designed to eliminate high-pressure points that cause long-drive body fatigue. Seat controls are large and shaped to accommodate a gloved hand. For an even richer environment on ES models, choose the optional leather with vinyl trim seats (shown above) that include a power eight-way driver's seat.

Stratus' exceptional rear seat leg and shoulder room accommodates three adults comfortably. When it's cold, standard heat ducts blow from beneath the front seats to warm the feet of rear passengers. Thoughtful extra touches include a standard center console with storage and cup holders, front door map pockets, a generously deep, locking glove box, and extra large sideview mirrors.

Stratus ES's standard driver's seat features a four-position manual lumbar support, four-point adjusting headrests, recliner, and a manual height adjuster that uses a telescoping handle. Front seats adjust on ball rollers using a convenient "towel bar" handle on the lower seat front.



Stratus ES cloth interior, shown in Mist Gray.



Stratus' ergonomic instrument panel design (above) provides a clear view of all gauges (tachometer, speedometer, fuel and temperature) through the steering wheel.

Stratus' optional AM/FM stereo compact disc player (also shown above) uses 100 watts of power to drive eight premium speakers in six locations.

Can An Instrument Panel Make You A Better Driver?

The instrumentation of the new Stratus cockpit wraps switches and controls around you for near-effortless driving. Even their shapes and surfaces communicate their functions by touch. The standard tilt steering column can be adjusted to a position that is perfect for your personal driving posture. The steering wheel includes standard electronic speed control switches and an unobstructed view of large, easy-to-read gauges that glow amber in the dark. The radio and rotary heater/air conditioner controls fall easily within reach. Stratus is constructed using a variety of new sound insulators and dampeners for a level of quietude usually found only in cars costing thousands more.



Can A Compact Sedan Hold Five Adults Without Cramping Their Style?

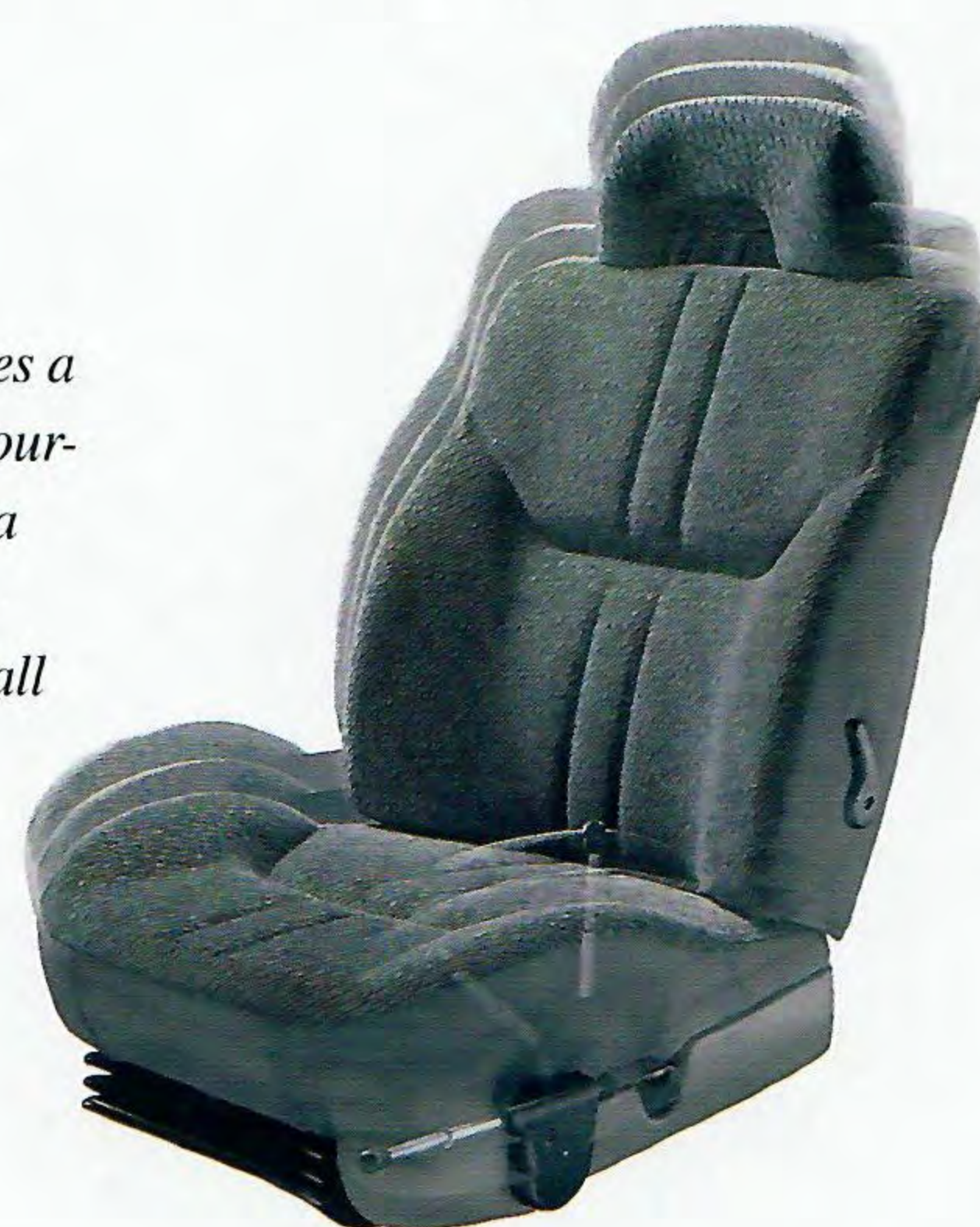


Dodge Stratus is our purest expression of the cab-forward design concept: more space for humans, less for machinery. The roomy five-passenger interior measures 95.9 cubic feet of volume, the largest in its class.

Stratus' firm, supportive seats were computer designed to eliminate high-pressure points that cause long-drive body fatigue. Seat controls are large and shaped to accommodate a gloved hand. For an even richer environment on ES models, choose the optional leather with vinyl trim seats (shown above) that include a power eight-way driver's seat.

Stratus' exceptional rear seat leg and shoulder room accommodates three adults comfortably. When it's cold, standard heat ducts blow from beneath the front seats to warm the feet of rear passengers. Thoughtful extra touches include a standard center console with storage and cup holders, front door map pockets, a generously deep, locking glove box, and extra large sideview mirrors.

Stratus ES's standard driver's seat features a four-position manual lumbar support, four-point adjusting headrests, recliner, and a manual height adjuster that uses a telescoping handle. Front seats adjust on ball rollers using a convenient "towel bar" handle on the lower seat front.



Stratus ES cloth interior, shown in Mist Gray.



Stratus' ergonomic instrument panel design (above) provides a clear view of all gauges (tachometer, speedometer, fuel and temperature) through the steering wheel.

Stratus' optional AM/FM stereo compact disc player (also shown above) uses 100 watts of power to drive eight premium speakers in six locations.

Can An Instrument Panel Make You A Better Driver?

The instrumentation of the new Stratus cockpit wraps switches and controls around you for near-effortless driving. Even their shapes and surfaces communicate their functions by touch. The standard tilt steering column can be adjusted to a position that is perfect for your personal driving posture. The steering wheel includes standard electronic speed control switches and an unobstructed view of large, easy-to-read gauges that glow amber in the dark. The radio and rotary heater/air conditioner controls fall easily within reach. Stratus is constructed using a variety of new sound insulators and dampeners for a level of quietude usually found only in cars costing thousands more.



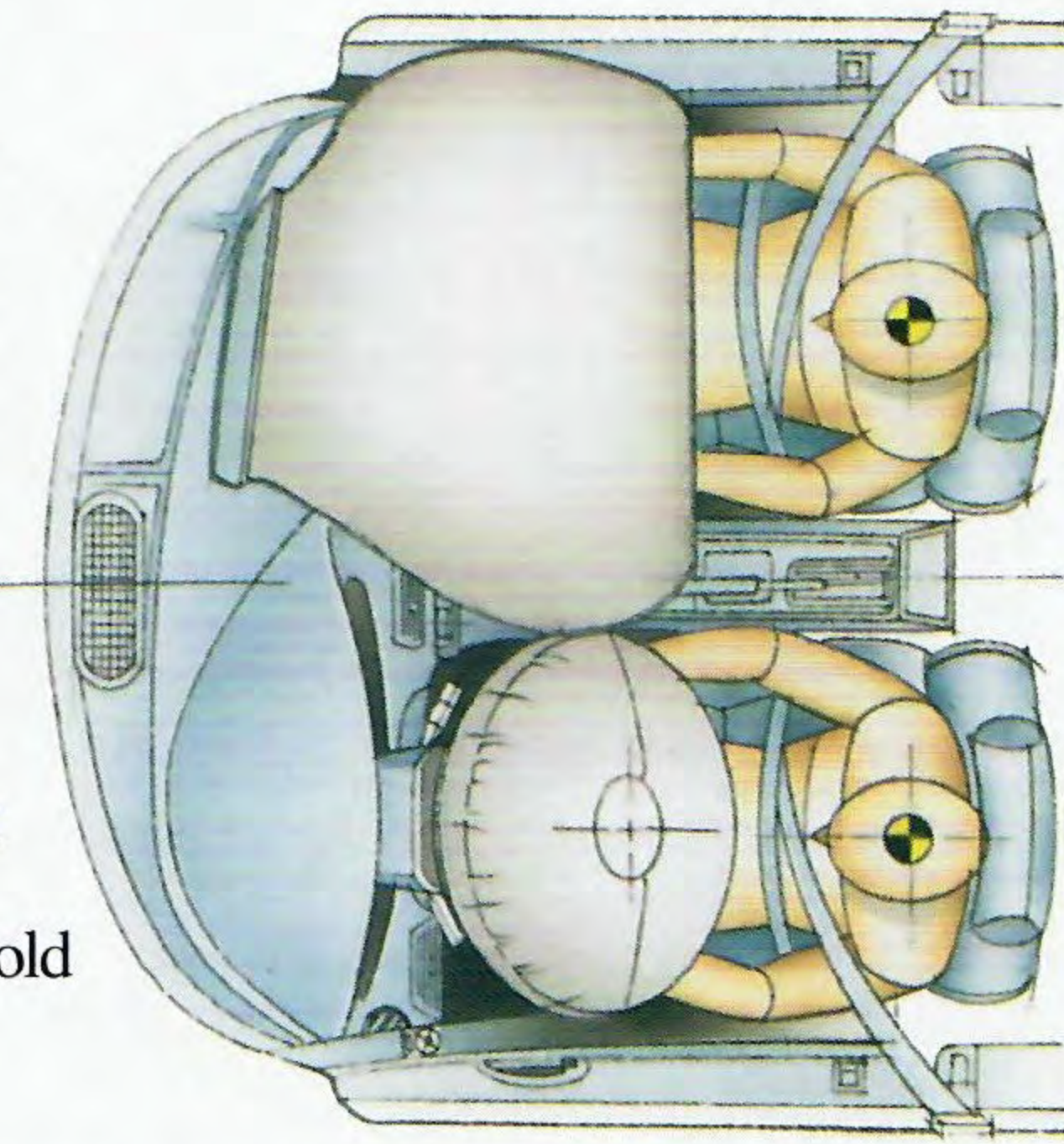
Is Safety Really That Important?

The optional Personal Security Package includes remote keyless entry, illuminated entry and panic alarm. The remote keyless entry key fob transmitter activates up to 23 feet away. Keyless entry controls door lock and unlock and activation of interior lamps. The new PANIC mode unlocks the driver's door, blows the horn for three minutes, and flashes interior lamps and headlights for 15 minutes or until deactivated.



The answer is yes. Dodge Stratus feels solid and tight, but it's more than a feeling. Stratus has had the most computer crash simulation testing of any car in Chrysler history, with our most sophisticated safety technology integrated within its very structure.

Stratus' driver and front passenger air bags* protect in a frontal barrier impact at speeds above 14 miles per hour. The driver-side air bag is concealed beneath a seamless steering wheel hub cover. For ease of use, the entire end of the seat belt buckle is the release button. The front seat belts' height-adjustable lap/shoulder belts offer five positions for varying shoulder heights. An optional Integrated Child Safety Seat† (shown below left) folds out from the rear seat to accommodate a child over one-year old who weighs from 20 to 66 pounds.

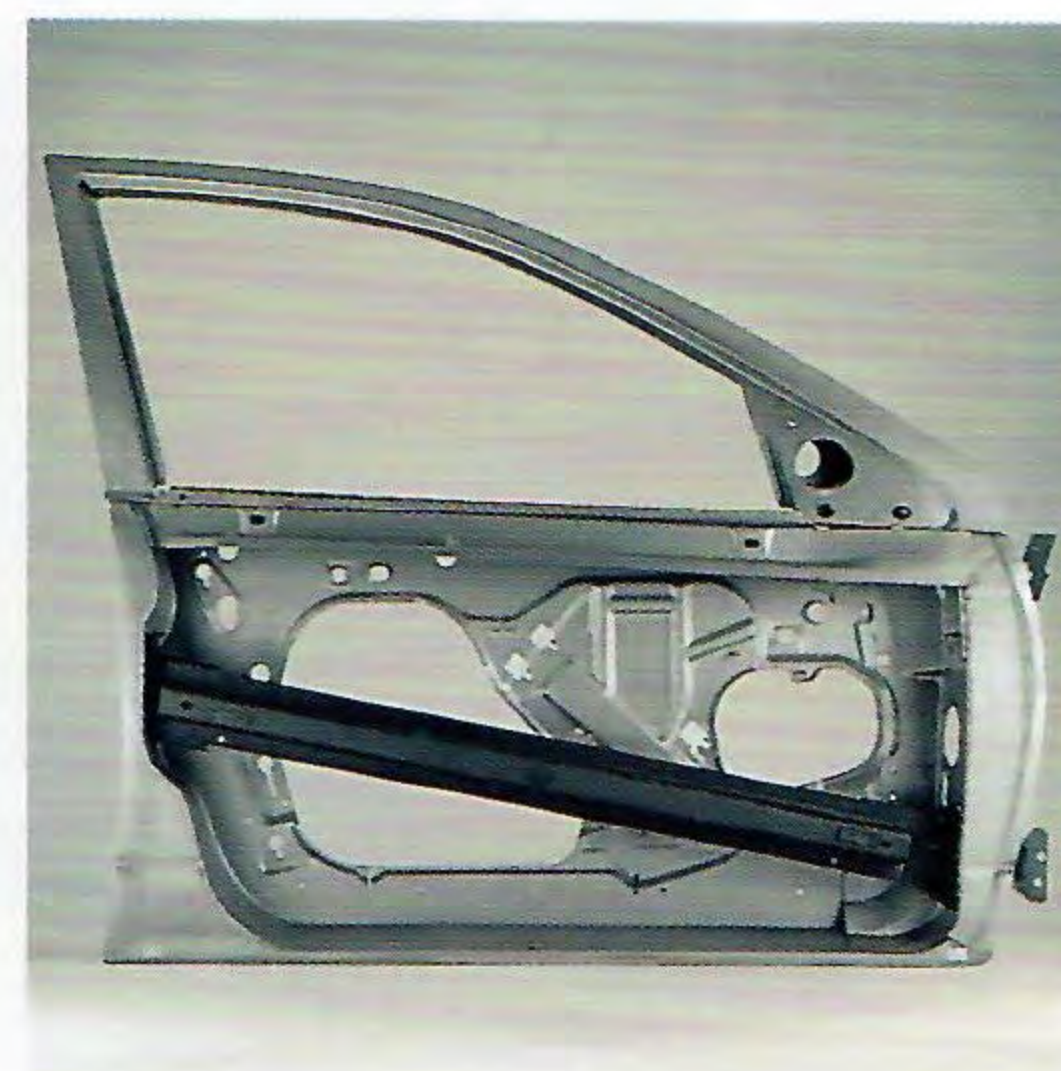


Stratus' rigid body structure provides additional protection during collision impact. The straight frame design and compound curvature of its surface sheet metal work together to absorb and dissipate impact energy.

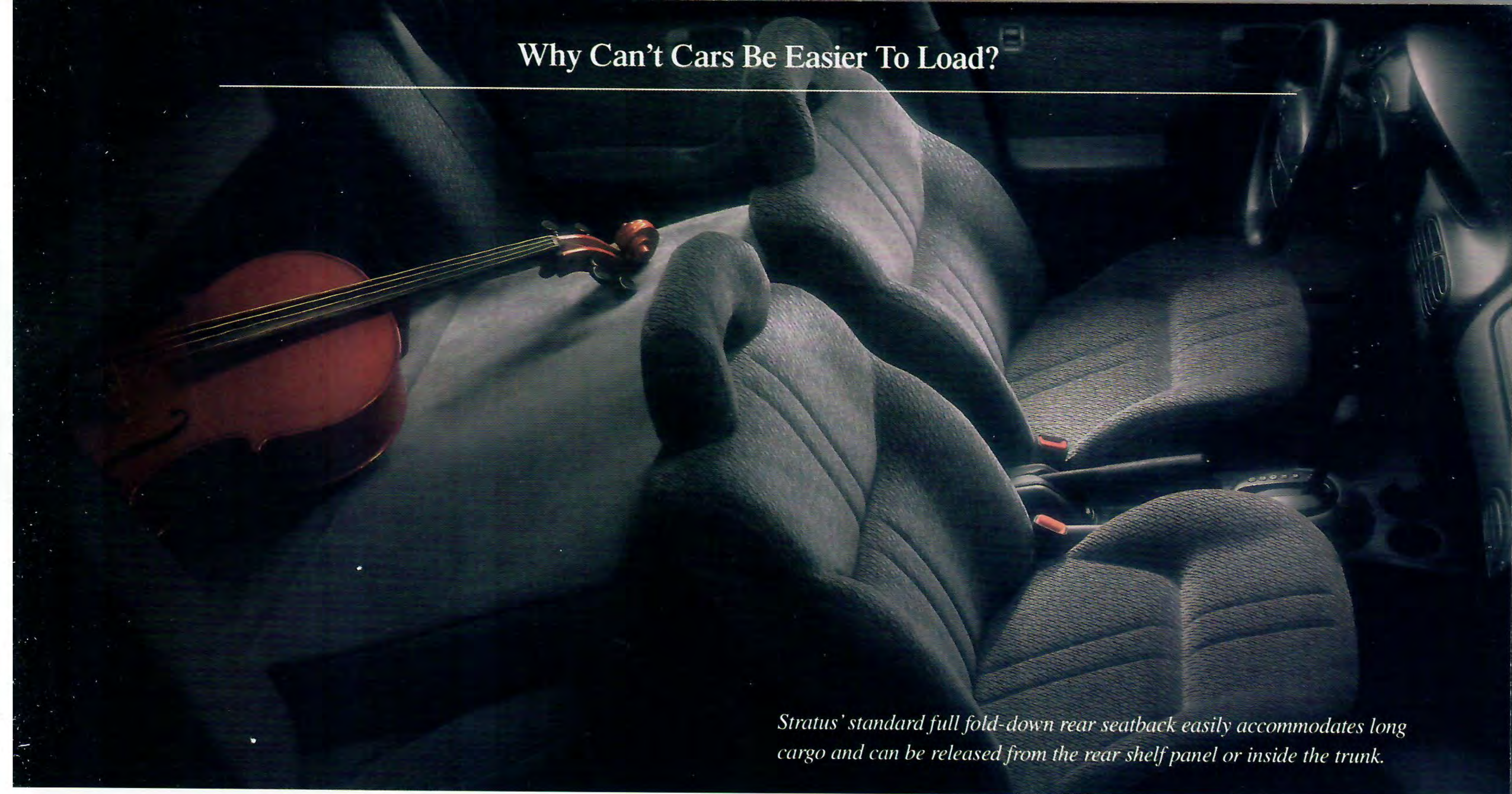
Side-impact protection: Stratus meets 1997 federal dynamic side-impact standards two years early. The vehicle's body structure, B-pillar, door sills and seating crossmembers, as well as the instrument panel's steel, structural cross-car beam, are all reinforced and positioned to dissipate side-impact energy.

Front doors each have a side-guard door beam (shown below center) of high-strength, roll-formed steel. The rear doors' structure includes a second beam, child-protection locks (shown below right) and structural interlock with a second door latch striker post. There's also energy-absorbing material inside as well as safety-padded armrests on both front and rear doors.

*Always wear your seat belts.
†Includes a fixed rear seatback.



Why Can't Cars Be Easier To Load?



Stratus' standard full fold-down rear seatback easily accommodates long cargo and can be released from the rear shelf panel or inside the trunk.

There are so many thoughtful features crafted into Stratus. Its big, 15.7-cubic foot trunk is the largest in its class. The trunk opens at bumper height for low liftover loading, and rises beyond vertical (shown left) using a new spring-powered four-bar link hinge. Inside, an available cargo net on ES models helps prevent load shifting. Wide-opening rear doors offer easy entry and the full-folding rear seatback (shown above) can be released from the rear shelf panel or inside the trunk and folds flat to accommodate longer items.



Electronic enhancements. Stratus offers quality stereo systems by famous names like Alpine, Jensen, Phillips/Acustar and Oxford — plus a selection of cellular phones to keep you in touch. • The AM/FM stereo compact disc player (shown right), available on all Stratus models, produces 100 watts of power and features eight premium speakers in six locations • The optional 100-watt premium AM/FM stereo cassette player (shown left) includes CD changer controls on the radio face that activate an optional dealer-installed center console mounted six-disc CD changer (also shown left). A power-retracting antenna is available on Stratus ES • The standard Stratus sound system is no afterthought. This fine, 40-watt AM/FM stereo cassette player has auto-reverse, bidirectional seek, and four speakers. All three sound systems include an integral digital clock.



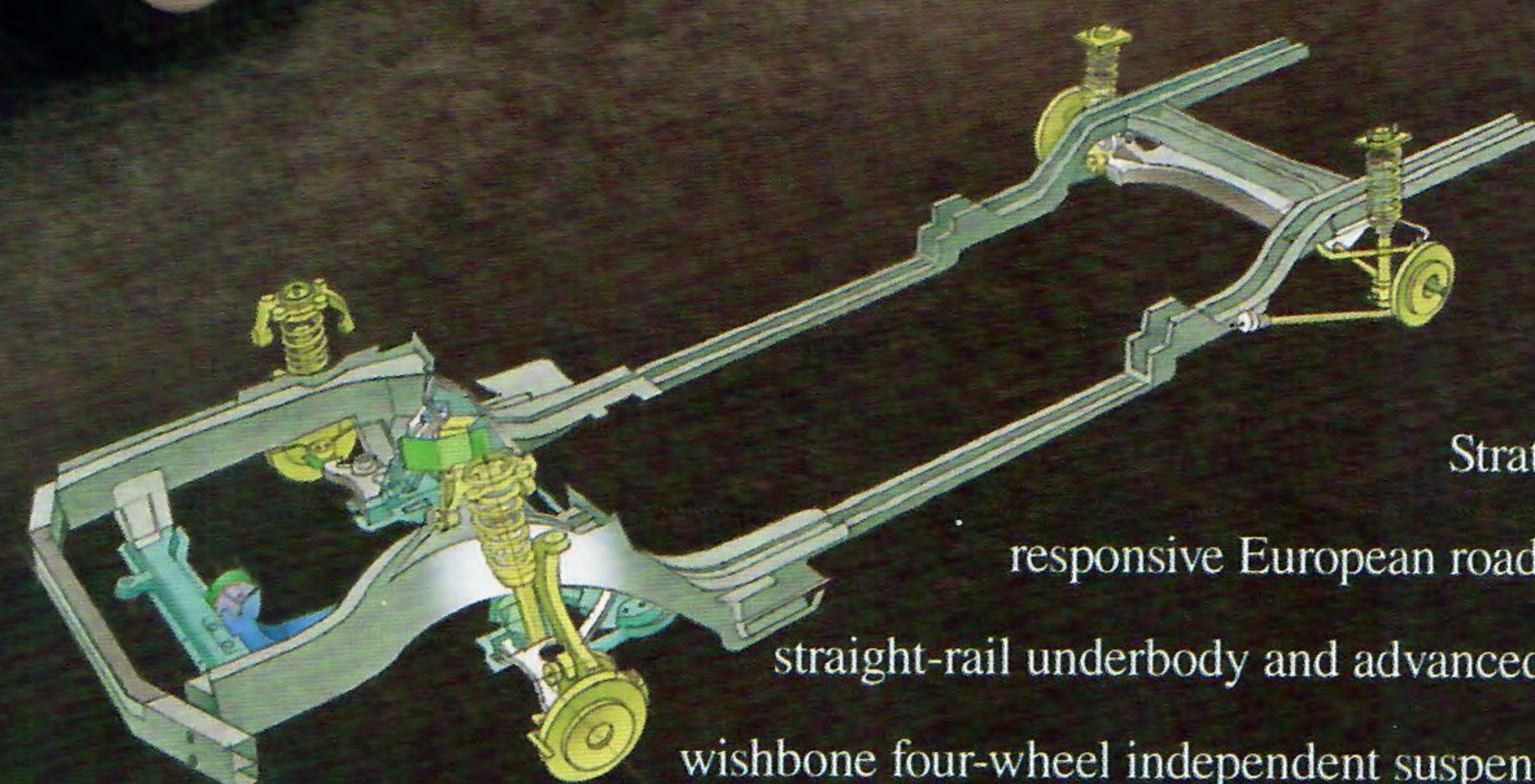
Chrysler cellular phones are designed to work flawlessly with your Stratus' electronics system. Choose the vehicle-installed model or either of two convenient portables.



Why Can't A Sedan Handle More Like A Sports Car?



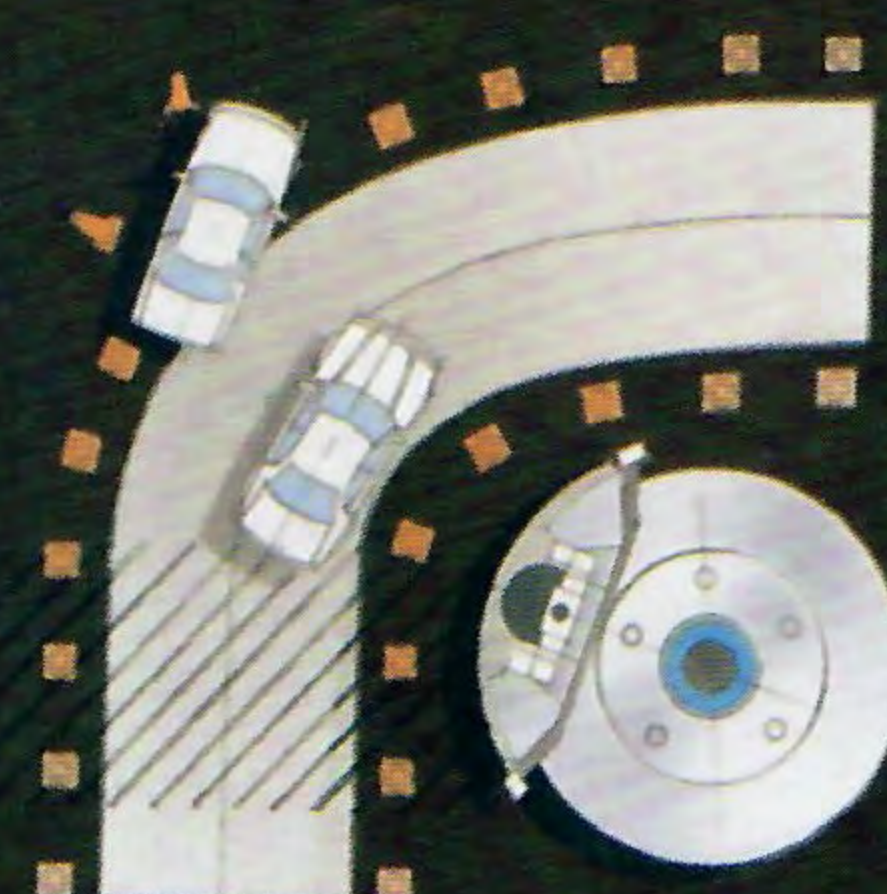
Stratus ES, shown left in Metallic Red, with standard 15-inch cast aluminum wheels and premium P195/65HR15 steel-belted radial all-season touring tires.



Stratus was born with firm, responsive European road handling. Its rigid, straight-rail underbody and advanced, modified double-wishbone four-wheel independent suspension offer a confident feeling of smooth, solid control. Stratus ES's standard variable-assist, speed-sensitive power rack-and-pinion steering provides more assist during low-speed maneuvers such as parking ... and less at highway speeds for better control. Stratus' standard quick-ratio, power-assisted rack-and-pinion steering provides excellent maneuverability with a small (37-foot) diameter turning circle.

Each of Stratus' three multivalve engines has a winning personality all its own. The impressive low-speed torque of Stratus Highline's available 147-horsepower, 16-valve dual overhead cam (DOHC) 2.4-liter four-cylinder engine (shown below right) includes the smoothness of dual counterrotating balance shafts (2.4-liter not available on ES model). Stratus Highline's standard engine is a high-revving, 132-horsepower, 2.0-liter 16-valve, single overhead cam (SOHC) SMPI four-cylinder mated with a sporty, quick-shifting, five-speed manual overdrive transaxle. This power train package is also available on ES models. Stratus ES's standard 164-horsepower, 24-valve sequential multipoint fuel-injected (SMPI) 2.5-liter V6 comes with maintenance-free, 100,000-mile platinum-tipped spark plugs.

Both the 2.4-liter four-cylinder engine and 2.5-liter V6 engine come standard with an electronically controlled four-speed automatic transaxle.



Stratus ES' standard power-assisted front disc/rear drum electronically controlled antilock brake system (optional on Highline) senses imminent brake lockup and modulates brake pressure to help maintain steering control on any surface. Stratus' standard power-assisted sliding caliper front disc/duo-servo rear drum brakes offer impressive stopping ability and heat (fade) resistance.



Stratus, shown in Medium Fern, with standard 14-inch wheel covers and P195/70R14 tires. All tires and wheels ride flush with Stratus fenders for a "full wheel well" look.

Can A Car's Standard Equipment List Surprise You?



For those who smoke, the Stratus Smoker's Package for the center console replaces the right cup holder (shown above) with a removable ash receiver and cigarette lighter.

The new Dodge Stratus' will. Its basic design delivers a lot of car for the money even without all of its unexpected premium-level equipment. A little competitive shopping will quickly prove that Stratus' high level of standard features offers excellent value and driving convenience.

The long list of standard equipment includes: air conditioning • 2.0-liter 16-valve SOHC engine • five-speed manual overdrive transaxle • power-assisted rack-and-pinion steering • driver and front passenger air bags* • AM/FM stereo cassette radio with four speakers • tilt steering column • electronic speed control • variable delay, speed-sensitive windshield wipers • electronic rear window defroster • tinted glass with solar windshield

• remote deck lid release • full-folding rear seatback.

The standard center console (shown top left) comes with a large front storage bin, smaller, hidden storage area and two molded cup holders. The rear section has two storage bins and a single molded-in cup/juice box holder.

Of course there are many more standard features, these are just some of the most noteworthy. A full listing is on pages 10 and 11.

*Always wear your seat belts.



Dodge Stratus, shown in Light Iris. Its aerodynamic rear styling cues include a trunk lid with raised rear edge that provides a visual reference to gauge distance when backing up.

Selected Standard and Optional Equipment

	Stratus	Stratus ES
Air Bags ⁽¹⁾ —Driver and Front Passenger	S	S
Air Conditioning—Includes Rear Seat Heat Outlets	S	S
Alarm—Vehicle Antitheft	NA	O/P
Alternator—90-Ampere	S	S
Antenna—Fixed, Black, Rear	S	S
—Power, Chrome, Rear	NA	P
Battery—510-Ampere, Maintenance-Free	S	S
Brakes—Power-Assisted; Front Disc/Rear Drum	S	NA
—Four-Wheel Antilock—Power-Assisted; Front Disc/Rear Drum	O	S
Convenience/Cargo Net—Luggage Compartment	NA	P
Carpeting—Passenger Compartment, Color-Keyed		
—Trunk Gray	S	S
Child-Protection Rear Door Locks	S	S
Chimes—Key-In-Ignition, Fasten-Seat-Belts, Headlights-On	S	S
Clock, Digital—Integral to Radios	S	S
Coat Hooks—Rear ⁽²⁾	S	S
Console—Floor Includes Rear Storage Bin with Rubber Mat, Single Cup Holder/Juice Box Holder, Coin Holder	S	S
Corrosion Protection—Full-Body Antichip Protective Coating, Extensive Use of Galvanized Steel	S	S
Defroster—Rear Window, Electric	S	S
Demisters—Side Windows	S	S
Door Handles—Flush-Mounted, Black	S	NA
—Flush-Mounted, Color-Keyed	NA	S
Door Locks—Child-Protection, Rear	S	S
—Power	P	S
Engines—2.0-Liter SOHC 16-Valve SMPI 4-Cylinder	S	P
—2.4-Liter DOHC 16-Valve SMPI 4-Cylinder	P	NA
—2.5-Liter SOHC 24-Valve SMPI V6	NA	S
Exhaust System—Stainless Steel	S	S
Floor Mats—Front and Rear, Carpeted	S	S
Fog Lights—Integral with Front Fascia	NA	S
Fuel Filler Cap—Tethered, Driver's Side	S	S
Fuel Tank—16-Gallon (Driver-Side Fuel Filler Door)	S	S
Glass, Tinted—All Windows Including Solar Windshield	S	S
Glove Box—Locking	S	S
Grab Handles, Self Storing—Rear (2), Front, Passenger-Side	NA	S
Heater and Defroster	S	S
Hood—Prop Rod, Remote Release	S	S
Horn—Dual-Note	S	S
Instrument Cluster—Electromechanical, Includes Speedometer, Tachometer, Odometer, Trip Odometer; Gauges for Fuel Level, Engine Coolant Temperature; Warning Lights for Brakes and Parking Brake, Low Oil Pressure, ABS (if so equipped), High Engine Coolant Temperature, Check Engine, Charging System, Low Fuel, Seat Belt, Air Bag, Door Ajar Warning	S	S
Key—Double-Bitted with Embossed Pentastar	S	S
Lights—Exterior: Dual Aerodynamic Composite Halogen Headlights, Integral Park and Turn; Front and Rear Side Markers; Tricolor Taillights	S	S
—Interior: Dome/Courtesy; Cup Holder/Ash Receiver, Ignition, Trunk	S	S
—Dual Front Overhead, Reading	NA	S
Mirrors—Exterior, Dual Aerodynamic Remote Control, Twin Post, Black	S	NA
—Exterior, Dual Power Heated, Twin Post, Black	P	S
—Interior, Rearview Day/Night	S	S

Selected Standard and Optional Equipment (Continued)

	Stratus	Stratus ES
Mirrors (Cont)—Interior, Dual Visor Vanity, Driver- and Passenger-Side Covered	S	NA
—Interior, Dual Illuminated Visor Vanity, Driver- and Passenger-Side Covered	NA	S
Moldings—Bodyside, Color-Keyed; Windshield and Rear Window, Black, Flush-Mounted	S	S
Multifunction Control Lever—Left-Hand; Mounted on Steering Column, Includes Controls for Turn Signals, Headlights, Lane-Change Feature, Optical Horn, Instrument Panel Dimmer, Fog Lights ⁽²⁾	S	S
—Right-Hand; Includes Windshield Wipers, Mist, Washers and Intermittent Controls	S	S
Personal Security Package—Remote Keyless Entry, Illuminated Entry and Panic Alarm	O	O/P
—Vehicle Theft Alarm	NA	O/P
Pockets—Front Seatbacks	NA	S
Radios—AM/FM Stereo, Cassette Tape Player with Seek, Four Speakers	S	S
—Premium AM/FM Stereo, Cassette Tape Player with Seek, Eight Premium Speakers in Six Positions, 100-Watt Amplification	O	O/P
—Premium AM/FM Stereo, Compact Disc Player with Seek, Eight Premium Speakers in Six Positions, 100-Watt Amplification	O	O
Seat Belts—Color-Keyed, Three-Point Unibelt for Outboard Seating Positions, Front Belts include Height-Adjustable Shoulder Belts; Lap Belt in Rear Center Location	S	S
Seats—Front; Cloth Bucket with Two-Way Head Restraints	S	NA
—Front; Premium Cloth Buckets with Driver-Side Manually Adjustable Lumbar Support, Reclining Seatbacks, Two-Way Adjustable "Halo" Head Restraints, Seatback Map Pockets	NA	S
—Driver's Seat Manual Height Adjuster	P	S
—Rear Bench with Full Folding Seatback	S	S
—Integrated Child Safety Seat ⁽³⁾	O	O
—Leather with Vinyl Trim and Eight-Way Power Driver's Seat	NA	P
Personal Security Package Including Illuminated Entry System, Remote Keyless Entry System, Panic Alarm	O	O/P
Smoker's Package ⁽⁴⁾	O	O
Speed Control—Electronic	S	S
Steering Column—Tilt	S	S
Steering—Power-Assist	S	NA
—Speed-Sensitive Variable-Assist Power	NA	S
Steering Wheel—Base	S	S
—Leather-Wrapped	NA	P
Stoplight—Supplemental Center High-Mounted	S	S
Storage Bin—Located in the Center of Instrument Panel	S	S
Sun Visors—Cloth Driver and Front Passenger	S	S
Suspension, Base—Front, High-Arm Modified Double-Wishbone with Sway Bar; Rear, Low-Arm Double-Wishbone Multi-link with Sway Bar	S	NA
—Touring—Includes Stiffer Spring Rates	NA	S
Tires—P195/70SR14 SBR BSW (Set of 4)	S	NA
—P195/65R15 SBR, All-Season Touring, H-Rated (Set of 4)	NA	S
—Spare, Compact	S	S
—Spare, Conventional Full-Size	O	O
Transaxles—Five-Speed Manual with Overdrive	S	P
—Four-Speed Electronically Controlled Automatic with Overdrive	P	S
Wheel Covers—14" (Set of 4)	S	NA
Wheels—15" Cast Aluminum (Set of 4)	NA	S
Windows—Power	P	S
Windshield Wipers—Speed-Sensitive Intermittent Feature, Hood-Mounted Nozzles	S	S

S = Standard. O = Optional. P = Included in Customer-PreferredSM Package. NA = Not available. SBR = Steel-Belted Radials. BSW = Black Sidewall.
⁽¹⁾ Always wear your seat belts. ⁽²⁾ ES only. ⁽³⁾ Not available with leather or folding rear seat. ⁽⁴⁾ Includes ash receiver and lighter, dealer-installed.

Customer-PreferredSM Option (CPO) packages have been designed to help you equip your new Stratus by combining the most desirable and frequently ordered optional equipment at value, compared to prices of items ordered individually. Your local Dodge dealer will be happy to assist you.

Customer-PreferredSM Option Packages

Engine/Transaxle	Stratus		Stratus ES	
2.0L SOHC 4-Cylinder/5-Speed Manual	21A	21B	21J	
2.4L DOHC 4-Cylinder/4-Speed Automatic	24A	24B	24J	
2.5L SOHC V6 ⁽¹⁾ /4-Speed Automatic			26J	26K

⁽¹⁾ Built by Mitsubishi Motors Corporation.

Package Options

	S	S	S	S
Air Conditioning	S	S	S	S
Electronic Speed Control	S	S	S	S
Floor Mats	S	S	S	S
Folding Rear Seat ⁽¹⁾	S	S	S	S
Cassette Stereo	S	S	S	S
Manual Seat Height Adjuster		•	S	S
Dual Power Heated Mirrors		•	S	S
Power Locks		•	S	S
Power Windows		•	S	S
Body-Color Door Handles			S	S
Front Map Lamps, Grab Handles and Illuminated Visor Vanity Mirrors			S	S
Speed-Sensitive Steering			S	S
Fog Lights			S	S
Antilock Brake System			S	S
Sport Package (Touring Suspension, 15" Aluminum Wheels and 195/65HR15 Tires)			S	S
Premium Sound Upgrade—Cassette				•
Power Antenna				•
Leather Seats w/ Vinyl Trim and Power Driver's Seat				•
Leather Steering Wheel and Shift Knob				•
Convenience/Cargo Net—Luggage Compartment				•
Personal Security Package (Remote Entry, Illuminated Entry, Panic Alarm)				•
Vehicle Theft Alarm ⁽²⁾				•

Available Options

	O	O	S	S
Antilock Brake System	O	O	S	S
Integrated Child Safety Seat	O	O	O	O
Cassette with Premium Sound Upgrade	O	O	O	P
CD with Premium Sound Upgrade	O	O	O	O
Full-Size Spare Tire	O	O	O	O
Block Heater/Battery Heater Package	O	O	O	O
Personal Security Package (Remote Entry, Illuminated Entry, Panic Alarm)		O	O	P
Vehicle Theft Alarm ⁽²⁾			O	P

S = Standard. • = Included in Customer-PreferredSM Packages.
P = Available in Customer-PreferredSM Packages. O = Available as a freestanding option.
⁽¹⁾ Folding rear seat is not available with Integrated Child Safety Seat.
⁽²⁾ Theft Alarm requires Personal Security Package.



Color & Trim

Exterior Colors (Clear Coat)	Interior Colors ⁽¹⁾		
	Mist Gray ⁽²⁾	Silver Fern	Rosewood
Metallic Red Pearl Coat	•		
Light Rosewood Satin Glow			•
Dark Rosewood Pearl Coat	•		•
Orchid Pearl Coat	•		
Medium Fern Pearl Coat		•	
Light Silver Fern Pearl Coat		•	
Medium Blue Pearl Coat	•		
Light Iris Pearl Coat	•		
Black Clear Coat	•		
Bright White Clear Coat	•		

⁽¹⁾ ES has standard Black cockpit trim. ⁽²⁾ Leather trim only available in Mist Gray.

Interior Dimensions⁽¹⁾

Front	— Head Room	38.1
	— Shoulder Room	55.2
	— Hip Room	52.8
	— Leg Room	42.3
Rear	— Head Room	36.8
	— Shoulder Room	54.7
	— Hip Room	52.7
	— Leg Room	38.1

Specifications⁽¹⁾

Seating Capacity	5
Trunk Volume (cu ft)	15.7
Total Volume Index (cu ft) ⁽²⁾	111.6
Curb Weight (lb)	2,911/3,145 ⁽³⁾
Fuel Tank Capacity (gal)	16.0

⁽¹⁾ Inches unless otherwise specified.
⁽²⁾ According to EPA Volume Index.
⁽³⁾ Weight with standard engine. Second number represents Stratus ES.

Exterior Dimensions⁽¹⁾

Wheelbase	108.0
Overall Length	186.0
Overall Width	71.0
Overall Height	54.1
Track, Front	60.2
Track, Rear	60.2

Power Trains

Engine	Code	Transaxle	Stratus	Stratus ES
2.0-Liter SOHC 16-Valve SMPI 4-Cylinder Horsepower—132 hp @ 6,000 rpm Torque—129 lb-ft @ 5,000 rpm	21	5-Speed Manual with Overdrive	S	O
2.4-Liter DOHC 16-Valve SMPI 4-Cylinder Horsepower—147 hp @ 5,200 rpm Torque—161 lb-ft @ 4,400 rpm	24	4-Speed Electronically Controlled Automatic with Overdrive	O	NA
2.5-Liter SOHC 24-Valve SMPI V6 ⁽¹⁾ Horsepower—164 hp @ 5,900 rpm Torque—163 lb-ft @ 4,350 rpm	26	4-Speed Electronically Controlled Automatic with Overdrive	NA	S

S = Standard. O = Optional. NA = Not available. ⁽¹⁾ Built by Mitsubishi Motors Corporation.



CustomerOne™ Trend-setting design.
Innovative engineering.
Quality production. All are embodied in Dodge Stratus.
But to you, the car buyer, the vast resources of Chrysler
Corporation are centered in just one place: the dealership.

To ensure that your experience there will be a satisfactory
one, more than 100,000 dealership management, sales
and service people are participating in the most extensive
educational initiative in automotive history.

It's called Customer One, and it establishes one unbreakable
rule: Treat every customer you meet with honesty and
respect. Customer courtesy and respect is not a goal—it
is an imperative. Product knowledge is another essential,
and it is imparted to dealership personnel through self-
educating training materials which supplement formal
product training and driving sessions. Service personnel,
too, are trained not just to provide the technical answer to a
vehicle problem, but to respond personally to every owner.

That's the new Chrysler culture: new ways to research,
create, test and build world-class cars and trucks—and
improved ways to provide world-class treatment of the
people who buy them.

The Dodge Stratus is covered by the 3/36 Customer
One Care* plan, which includes:

CustomerOne Care A 3-year or 36,000-mile
(whichever comes first) Bumper-
to-Bumper Limited Warranty

which covers the complete vehicle against defects in
factory-supplied materials and workmanship. (This 3/36
warranty excludes tires, wiper blades, clutch and brake
linings, and normal maintenance items.†)

CustomerOne Care Roadside Assistance for 3 years or
36,000 miles providing 24-hour,
7-day-a-week Emergency Road

Service, contacted by a 24-hour nationwide toll-free
phone number. Roadside Assistance covers many items not
included in the 3/36 warranty, such as lockout, jump
start, out of gas, flat tire repair and towing.‡

**A 7-year or 100,000-mile Outer-Panel Rust-Through
Limited Warranty** which covers the cost of all parts and
labor needed to repair exterior sheet-metal panels
perforated by corrosion.

The 3/36 Customer One Care plan stays with the vehicle,
and transfers automatically to any subsequent owners at no
charge during the warranty period.

*See your dealer for additional details and a copy of this limited warranty.

†Tires and optional cellular phones are covered by their respective
manufacturer's warranties.

‡Roadside Assistance services provided by Cross Country Motor Club, Inc.
(In California, Cross Country Motor Club of California, Inc.)

Service Contracts Additional peace-of-mind protection
for vehicle owners is available through
optional Chrysler Service Contracts.

These services are available in a variety of time and mileage
combinations to meet your particular driving needs.

Mopar™ There's only one sure way to keep
your Dodge Stratus performing at
its optimum mile after mile. Just make sure it's serviced
regularly at your nearby Dodge dealer. That's where you'll
find first-rate mechanics specially trained in the maintenance
and repair of your new Dodge. They've been provided with
the sophisticated equipment today's cars and trucks demand.
And they have immediate access to a complete stock of
genuine Mopar replacement parts that can make the
difference between trouble-free driving and the unacceptable
alternative.

Purchase Alternatives And Assistance Many of today's
new car prospects are wisely considering leasing as an
alternative to buying. Leasing a new Dodge Stratus usually
involves a small security deposit and the first month's lease
payment. Monthly payments are usually less than financing
a new car purchase. Ask your dealer for details.

Chrysler Credit Financing Chrysler Credit offers a
variety of finance programs that can help make your new
Stratus even more affordable. These flexible finance
programs can be tailored to suit your budget and your
lifestyle. They include Gold Key Plus, College Graduate
Plans, Gold Key Lease, Retail Financing, and other special
payment plans. Ask your salesperson for details.

Automobility Program (formerly P-CAP)
Cash reimbursement is available for qualified adaptive
driving devices on the 1995 Dodge Stratus. Ask your
dealer to provide you with more information or call the
Automobility Headquarters at 1-800-255-9877.

CHRYSLER CELLULAR SYSTEMS For 1995, Chrysler Corporation will
be offering a selection of dealer-
installed/supplied cellular phones in several models to
enhance the available optional equipment list. Ask your
dealer for details. OKI® and Chrysler Cellular Systems
warrant and service these products. Restrictions apply. Ask
your dealer for details and a copy of these limited warranties.

Chrysler Environmental Programs Chrysler Corporation
is committed to the research and development of technologies
for reducing emissions and improving air quality. These
include vehicle emissions control devices, and alternative
fuels and engines. Chrysler's flexible fuel methanol cars,
natural gas vans and electric minivans clearly demonstrate
our dedication to the advancement of these technologies
in our products. Your Dodge Stratus and all other Chrysler
vehicles are built in manufacturing facilities that use state-
of-the-art environmental and assembly controls to conserve
resources, prevent pollution and recycle materials.

Always wear your seat belts.

Certain models, packages and options are subject to specific restrictions, requirements or late availability.
See your dealer for the latest ordering information.

All product illustrations are based on current information at the time of publication approval. Although descriptions
are believed correct, accuracy cannot be guaranteed. Chrysler Corporation reserves the right to make changes from
time to time without notice or obligation in prices, specifications, colors and materials, and to change or discontinue
models. See your dealer for latest information.

Form No. 74-383-9512

11/94 (350M)

Litho in U.S.A.



THE NEW DODGE